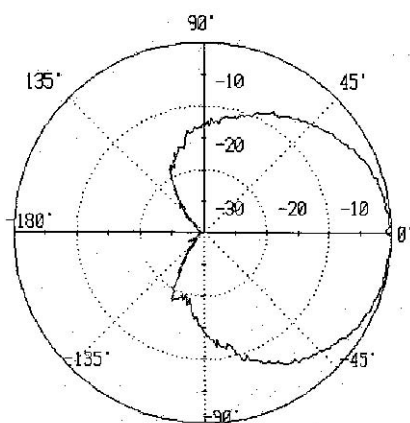


GPS L1 Survey Antenna

P/N: OMCGPS-L1



Pattern



F=1.575GHz

Technical Specifications

Frequency	1575.42MHz±5MHz
Pattern	Azimuth: Omni Directional Elevation: Hemispherical
Elevation Pattern	$\theta=0^\circ$ (zenith) +7dBic $0^\circ < \theta \leq 70^\circ$ -2dBic $70^\circ < \theta \leq 85^\circ$ -6dBic $85^\circ < \theta \leq 90^\circ$ -7.5dBic
LNA Gain	$27 \pm 2$ dB
Polarization	Right-hand circular
Noise Figure	$\leq 1.5$ dB
Phase Center Error	$\pm 2$ mm
Output Impedance	50 $\Omega$
VSWR	$\leq 1.5:1$
Power Supply	Voltage: 3~5V DC Current: < 20mA
Connector Type	TNC (customized connector type available)
Size	$\Phi 178$ mm×67mm
Weight	$\approx 350$ g
Operation Temperature	-40°C ~ +85°C
Storage Temperature	-55°C ~ +85°C